

High Performance 10 MHz-50 GHz System Power Amplifier

Operating Manual



Specifications are subject to change without notice.
All Centellax trademarks and trade names are the property of Centellax Inc.

Copyright ©2010 Centellax Inc.
Printed in USA. 11 May 2010

smd-00095 rev A.

3843 Brickway Blvd, Suite 100
Santa Rosa, CA 95403
Tel: 707.568.5900
Fax: 707.568.7647



Email:
sales@centellax.com
support@centellax.com
www.centellax.com



CENTELLAX

Section 6: Warranty/Product Service

**Centellax, Inc. Standard Warranty
Test Instrument and Accessory Products**

Centellax, Inc. (“Centellax”) warrants that the Test Instrument(s) and Accessory(s) (“Product(s)”) it manufactures is/are free from defective material and workmanship for a period of one (1) year subject to the following terms and conditions. Centellax will remedy any such warranted defect subject to the followings:

This warranty requires the Product to be delivered to Centellax intact for examination with an RMA number and with all transportation charges prepaid to the factory, within one (1) year from the date of sale to the original customer. Centellax will determine in its sole discretion when such defect exists. Centellax will return the repaired or replaced Product to the customer at its cost unless the shipment needs to be expedited or the shipment is international, in which cases customer will pay for return shipment.

During the warranty period, Centellax will, at its sole option, either repair or replace Products, which prove to be defective.

This warranty is only for the benefice of the original buyer registered with Centellax and is not assignable. This warranty does not extend to any of Centellax’ Products which have been subject to misuse, neglect, accident, improper installation, or used in violation of operating instructions. This warranty does not extend to Products, which have been repaired, calibrated, or altered in any way by a facility that is not approved, in writing, by Centellax to perform such work. This warranty does not apply to any Product where the seals or serial number thereof has been removed, defaced or changed, nor to Products not of our own manufacture.

THIS WARRANTY IS IN LIEU OF ALL OTHER WARRANTIES EXPRESSED OR IMPLIED FOR THE PRODUCTS AND ALL SUCH OTHER WARRANTIES ARE HEREBY EXPRESSLY EXCLUDED. CENTELLAX SPECIFICALLY DISCLAIMS THE IMPLIED WARRANTIES OF MERCHANTABILITY AND FITNESS FOR A PARTICULAR PURPOSE.

TO THE EXTENT ALLOWED BY LAW, THE REMEDIES PROVIDED HEREIN ARE THE CUSTOMER’S SOLE AND EXCLUSIVE REMEDIES. CENTELLAX SHALL NOT BE LIABLE FOR ANY DIRECT, INDIRECT, SPECIAL, INCIDENTAL OR CONSEQUENTIAL DAMAGES, WHETHER BASED ON CONTRACT, TORT OR ANY OTHER LEGAL THEORY.

Additional information with regard to the applications and maintenance of this equipment may be available from time to time.

Centellax reserves the right to modify or change the warranty without notice.

Product Service

For information and pricing on standard factory service, please contact service@centellax.com.

Note: This product contains no user or factory adjustments. There is no calibration cycle or certificate.

Table of Contents

Section 1 Introduction 2
 Section 2 Description 3
 Section 3 Specifications 4
 Section 4 Performance Verification 6
 Section 5 Operation 7
 Section 6 Warranty/Product Service 12

3843 Brickway Blvd, Suite 100
 Santa Rosa, CA 95403
Tel: 707.568.5900
Fax: 707.568.7647



Email:
sales@centellax.com
support@centellax.com
www.centellax.com

High Performance Broadband RF Amplifier

TA0U50HA Operating Manual

Section 1: Introduction

The TA0U50HA is a versatile 1W RF System Amplifier, which has many uses in research, development, or production-line environments. This amplifier is a useful addition to the laboratory where RF, microwave, or millimeter wave measurements are made. Typical applications include:

- Driver for high power amplifiers e.g. TWT or linear power amplifiers.
- Overcome system losses such as long transmission lines, power dividers, etc.
- Antenna research and development; Antenna characterization systems.
- Broadband RF characterization of systems and components.

NOTE

Source-driven RF power amplifiers should always be terminated in an absorbing load. Unterminated outputs will radiate RF energy; this can be dangerous to the operator, may violate FCC laws. Unterminated RF amplifiers reflect most of their energy back into the final amplifier stage; this can result in damage or destruction of the amplifier.

Centellax is committed to providing amplifiers that have exceptional performance, are unconditionally stable, and will survive accidental laboratory misuse, such as a fully-saturated unterminated output. TA0U50HA System Amplifiers have passed rigorous RF tests which include an RF burnout test. RF burnout test conditions are: $P_{out} = 30\text{dBm} @ 2\text{ GHz}$; open output (unterminated).

Internal Power Detector: The TA0U50HA Power System Amplifier incorporates a power detection feature.

Two matched on-chip GaAs diodes are used:

One of the diodes is RF coupled to the final output stage of the amplifier.

The second is a matched diode, in close proximity to the detector diode, which is not RF coupled but provides a reference voltage that is a function of temperature and biasing.

A differential measurement of these diodes provides a voltage proportional to the amplifier output power level independent of temperature and bias level of the output amplifier chip.

The two diode voltages are provided on the rear panel of the TA0U50HA System Amplifier and can be used to determine the amplifier output power level (as shown in Figure 9).

An application note details the use of these diodes and is available from the Centellax website.

For additional questions, please email: support@centellax.com or call **707-568-5900x7**.

The detector diode is frequency dependant and must be calibrated for each test frequency. The diode is a nonlinear device and its output voltage varies with power. This must also be characterized.

In an ATE environment, calibration of the detector diode is not complicated and may be as simple as measuring the differential voltage at each test frequency and power level. A look up table or curve fit can be used to provide a measure of power delivered.

External ALC Leveling

Establishing a desired power level at the amplified DUT “*Reference Plane*” with power request to the source is often desirable. Many modern sources support “*External Power Leveling*”. This technique involves power leveling using feedback from external sensors (e.g. power meters or detector diodes). Properly configured, these sensors provide feedback to the source that can be used by the source to level the amplified power level at a remote reference plane.

Rear Panel

Input: A 2.4 mm input connector is provided on the rear panel of the TA0U50HA.

Power in: 9 Vdc @ ~1.5 A, supplied by the included AC supply.

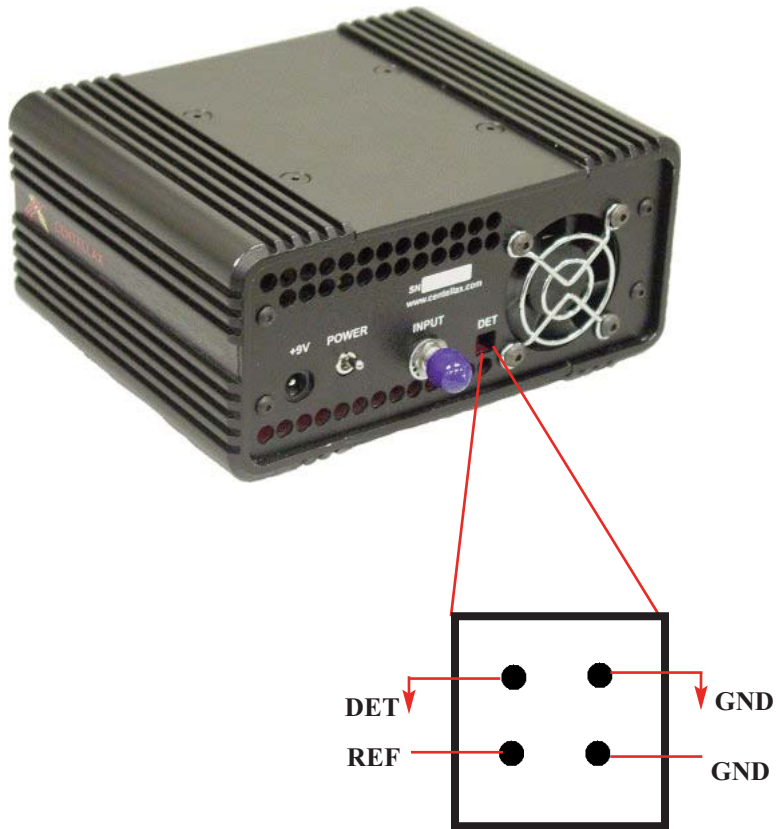
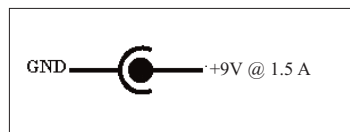


Figure 9: Rear panel of TA0U50HA



Section 2: Description

The Centellax TA0U50HA Power System Amplifier is a high performance, 1W broadband amplifier featuring 6 octaves of RF coverage from 10 MHz to greater than 50 GHz.

The TA0U50HA is designed to be a useful general purpose RF Power System Amplifier for laboratory or test system applications where higher broadband RF power is needed. The amplifiers small size (5.5x4.5x2.75 inch) and built in bias power supplies allows close placement to the measurement or source reference plane. It's high gain helps make up for system losses such as long transmission lines and system components.

The TA0U50HA features 2.4mm 50GHz female connector at the amplifier's input and 1.85mm(V) connector at output. V connector is compatible with 2.4mm. Adapters to lower frequency connectors e.g. 2.9mm, 3.5mm and SMA are readily available.

The TA0U50HA is self contained and plugs into standard AC power sources.

Features

- 1W (30dBm) P_{sat} 2-10 GHz
- Excellent performance at 20 GHz:
 - High gain (25dB, +2dB flatness)
 - 26dBm P_{-1dB} , 29dBm P_{sat}
- Easy to integrate into your lab:
 - Built-in cooling fan
 - AC power supply
- Power detector outputs
- Size: 5.5 x 4.5 x 2.75 inch

Section 3: Specifications

Table 1: Performance Specification

Parameter	Description	2 - 10 GHz			10-30 GHz			30 - 40 GHz			40 - 50 GHz		
		Min	Typ	Max	Min	Typ	Max	Min	Typ	Max	Min	Typ	Max
Psat (dBm)	Saturated Output Power	26	30	-	25	29	-	23	27	-	20	24	-
P-1 (dBm)	1 dB Compressed Power	24	28	-	23	27	-	21	25	-	17	22	-
S21 (dB)	Small Signal Gain	25	29	-	24	28	-	21	25	-	17	24	-
S11 (dB)	Input Match	-	-15	-	-	-15	-	-	-10	-	-	-8	-
S22 (dB)	Output Match	-	-15	-	-	-10	-	-	-6	-	-	-6	-
S12 (dB)	Reverse Isolation	-	-60	-	-	-60	-	-	-50	-	-	-50	-
NF (dBm)	Noise Figure	-	9	-	-	9	-	-	10.5	-	-	12	-
H2 (dBc)	2nd Harmonic @P-1	-	-40	-	-	-40	-	-	-35	-	-	-30	-
H3 (dBc)	3rd Harmonic @P-1	-	-20	-	-	-20	-	-	-	-	-	-	-

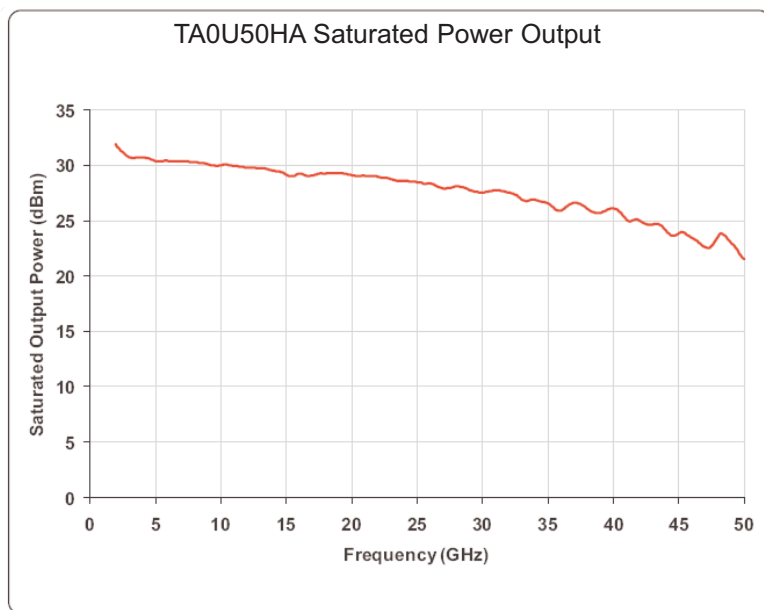


Figure 1: TA0U50HA Saturated Output Power Typical Module Performance

Front Panel

Output: The TA0U50HA features a 1.85mm(V) 50GHz female connector at the amplifier's output.

Led Indicator: One LED annunciator on the front panel indicates the System Amplifier is powered.



Figure 8: Front panel of TA0U50HA

Note: Always terminate the RF driven amplifier output !

When the system is calibrated the actual power delivered to the input "Reference Plane" is read on the power meter display for power sensor A. Sensor A is used to monitor and provide feedback to the user or an ATE system in order to set the "Reference Plane" power level. The power level is set by adjusting the RF Source power level control.

Calibration of the system is accomplished by removing the DUT and connecting sensor B to the input "Reference Plane" in order to determine the coupler's coupling coefficient and the other losses to the reference plane.

These losses are: **PmB - PmA**. These losses are frequency dependant and must be measured at each test frequency.

Coupler through losses and their coupling coefficients are very linear over their rated power range and therefore only need to be measured at one power level.

The frequency dependant losses (**PmB-PmA**) are then provided to the power meter in the form of a display offset for **PmA**.

The calibration is complete and the DUT input power level is displayed directly on the power meter sensor A display.

This setup is quick and easy to calibrate and represents a good test bench for the R&D laboratory, where a manual control system is sufficient to evaluate performance.

Understanding the compression characteristics of the TA0U50HA System Amplifier is important in these situations and can often be compensated for in the Automated Test Environment (ATE) by using an iterative set and measure routine to set the input reference plane power level close to the desired level.

Since the incident power is always accurately provided by a **PmA** measurement, the requested incident power level does not always need to be exact for accurate characterization of a DUT.

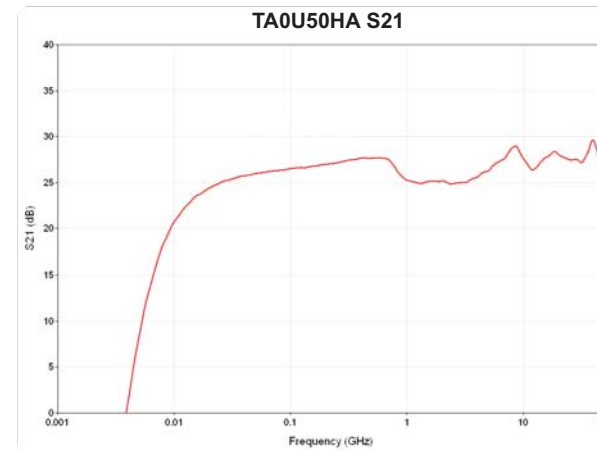


Figure 2: Typical Gain Performance

Figure 3: Typical Reflection Performance

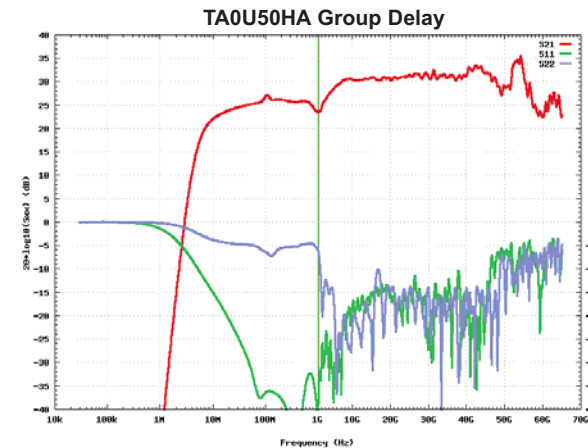
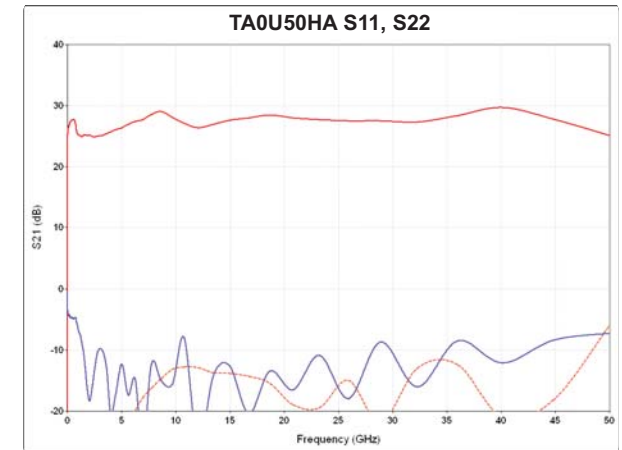


Figure 4: Typical Group Delay Performance

Section 4: Performance Verification

The Figures below show the setup used to verify the performance of the TA0U50HA System Amplifier.

A calibrated power splitter (or calibrated coupler) connected to the amplifier input reference plane and to power sensor A, as shown, establishes the input power level. The output power is measured on power sensor B. Measurements of gain vs output power at frequencies of interest establish the amplifier performance.

CAUTION: Use of an attenuator may be required on the output in the sensor B is rated for less than 1W. Applies to fixtures 5,6,7.

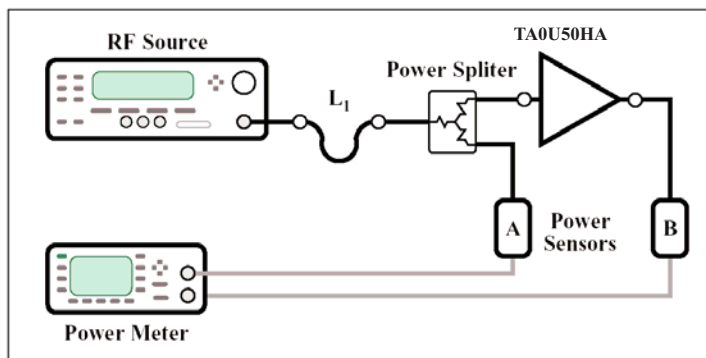


Figure 5: Verification setup with a power splitter

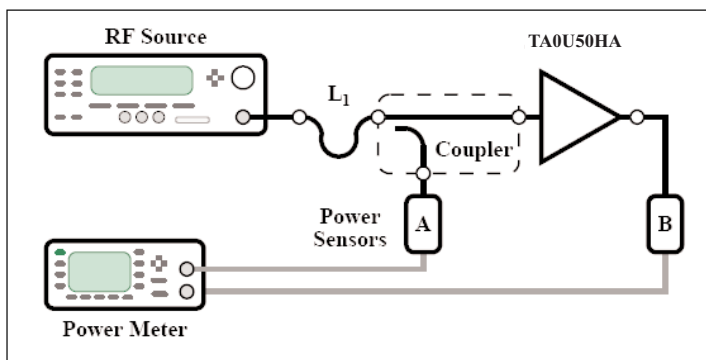


Figure 6: Verification setup with a calibrated coupler

Section 5: Operation

Example Application:

The TA0U50HA System Amplifier amplifies the RF Source output power to the level needed to characterize DUT performance.

The small size of TA0U50HA System Amplifier is easy to place close to the DUT input “Reference Plane”. The high gain of the System Amplifier easily overcomes the cable losses from the remote RF Source.

The Figure 7 shows an amplified RF power measurement system using the TA0U50HA System Amplifier.

The DUT is characterized by setting the power level at the DUT input

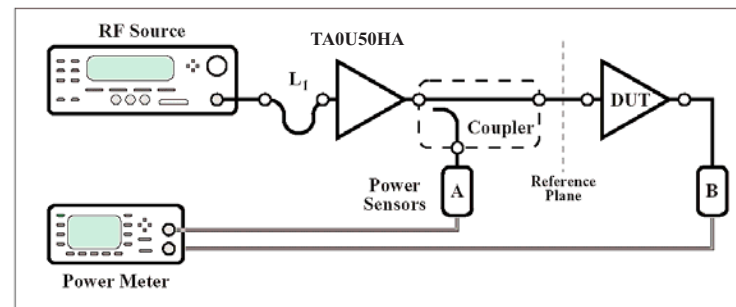


Figure 7: Example of an Amplified RF Power Measurement System

“Reference Plane” and measuring the output power at various input power levels for each test frequency.

The RF Source, used in this example, is a laboratory grade Synthesized Source or Signal Generator with precise amplitude control, (e.g. Agilent 83650L RF Source, or Anritsu MG3694A). The power levels are measured using a power meter with two measurement port sensors (A and B), (e.g. Agilent E4419B).

An RF power coupler provides a small, proportional amount of the amplified power to power sensor A as shown in Figure 7.