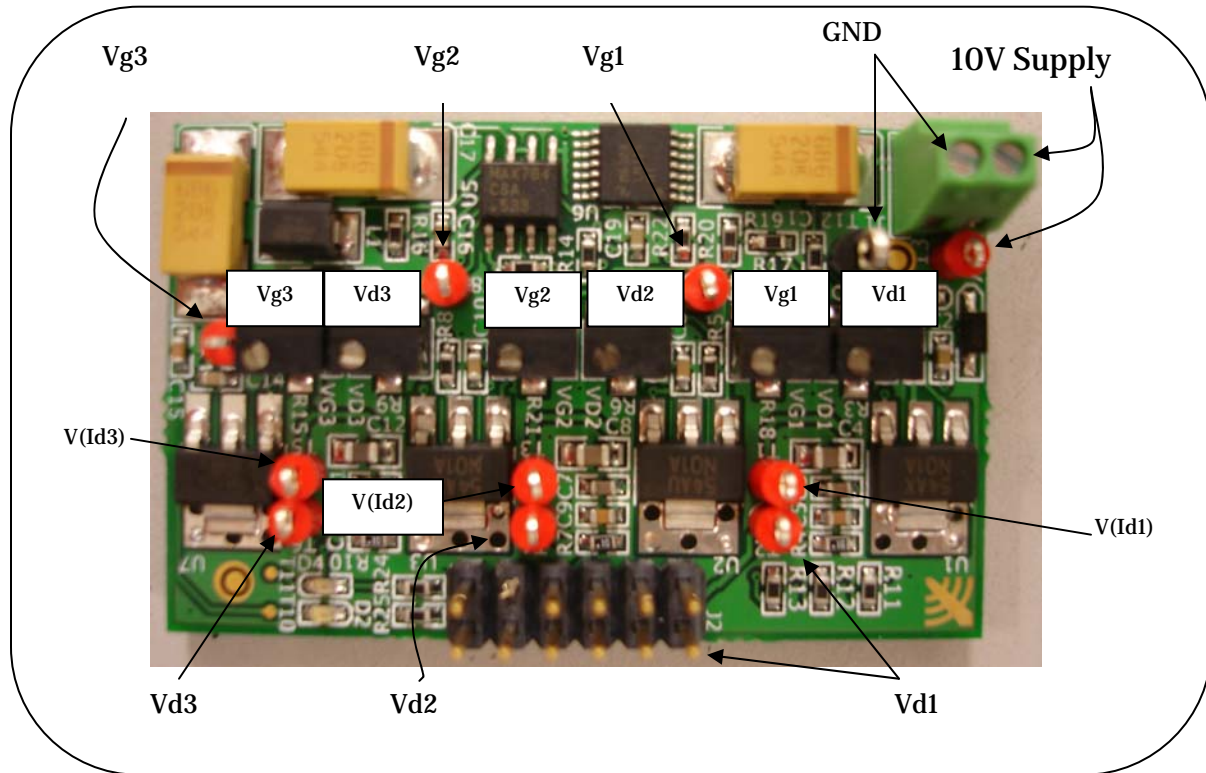


TE1B is a bias board for Centellax drivers and modules, providing easy control over three pairs of gate and drain voltages.



#### Application Notes :

1. Test points for gate and drain voltages are labeled as Vg and Vd, followed by the number.
2. Drain current can be measured over two test points denoted by Id's. There is 0.1 Ohm resistor in between these two test points. (i.e.  $I_d = (V_d - V(id)) / 0.1$  )