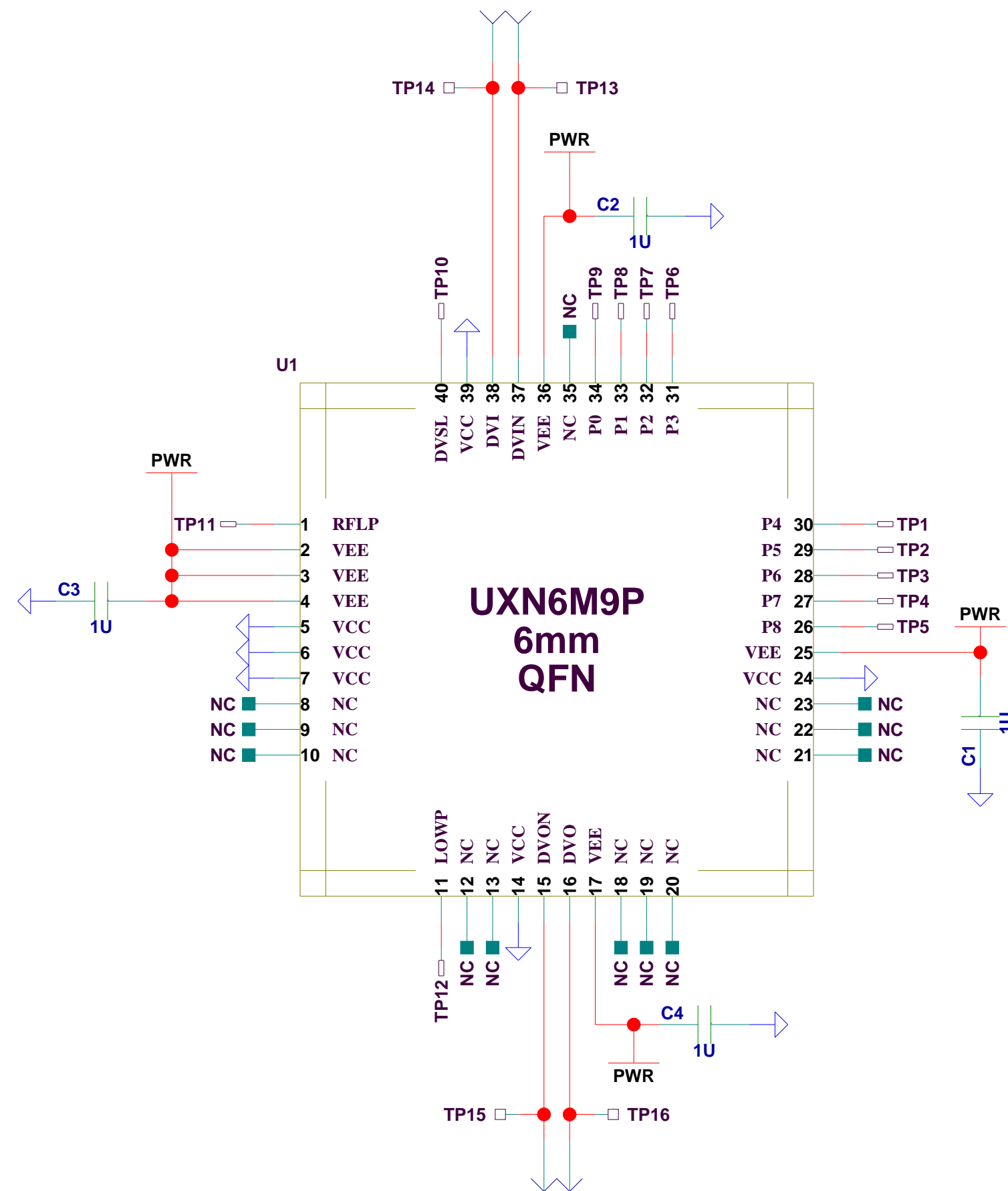


UXN6M9P Typical Gerber Files



Title: UXN6M9P TYPICAL GERBER FILES				
File: UXN6M9P				
Created by: CB			Date: 11-19-2008_11:58	
Modified by:			Date:	
PCB NO: 000	Size: C	Sheet 1 of 1	REV: 0	