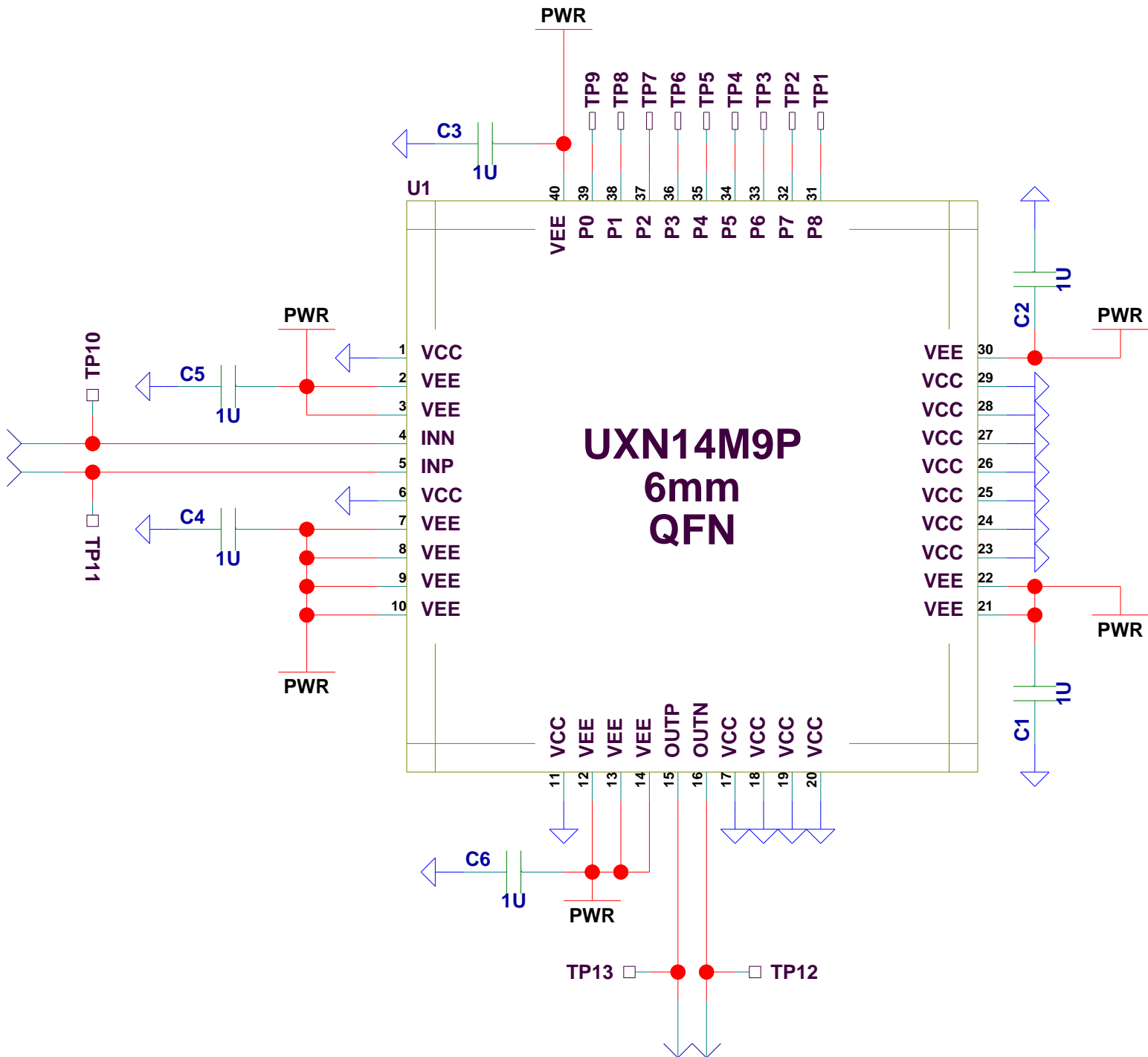



UXN14M9P Typical Gerber Files



		451 Aviation Blvd., Suite 101 Santa Rosa, CA 95403-1069 tel: +1.966.522.6888		
		Title: UXN14M9P TYPICAL GERBER FILES		
File: UXN14M9P				
Created by: CB		Date: 11-20-2008_10:45		
Modified by:		Date:		
PCB NO: 000	Size: C	Sheet 1 of 1	REV: 0	