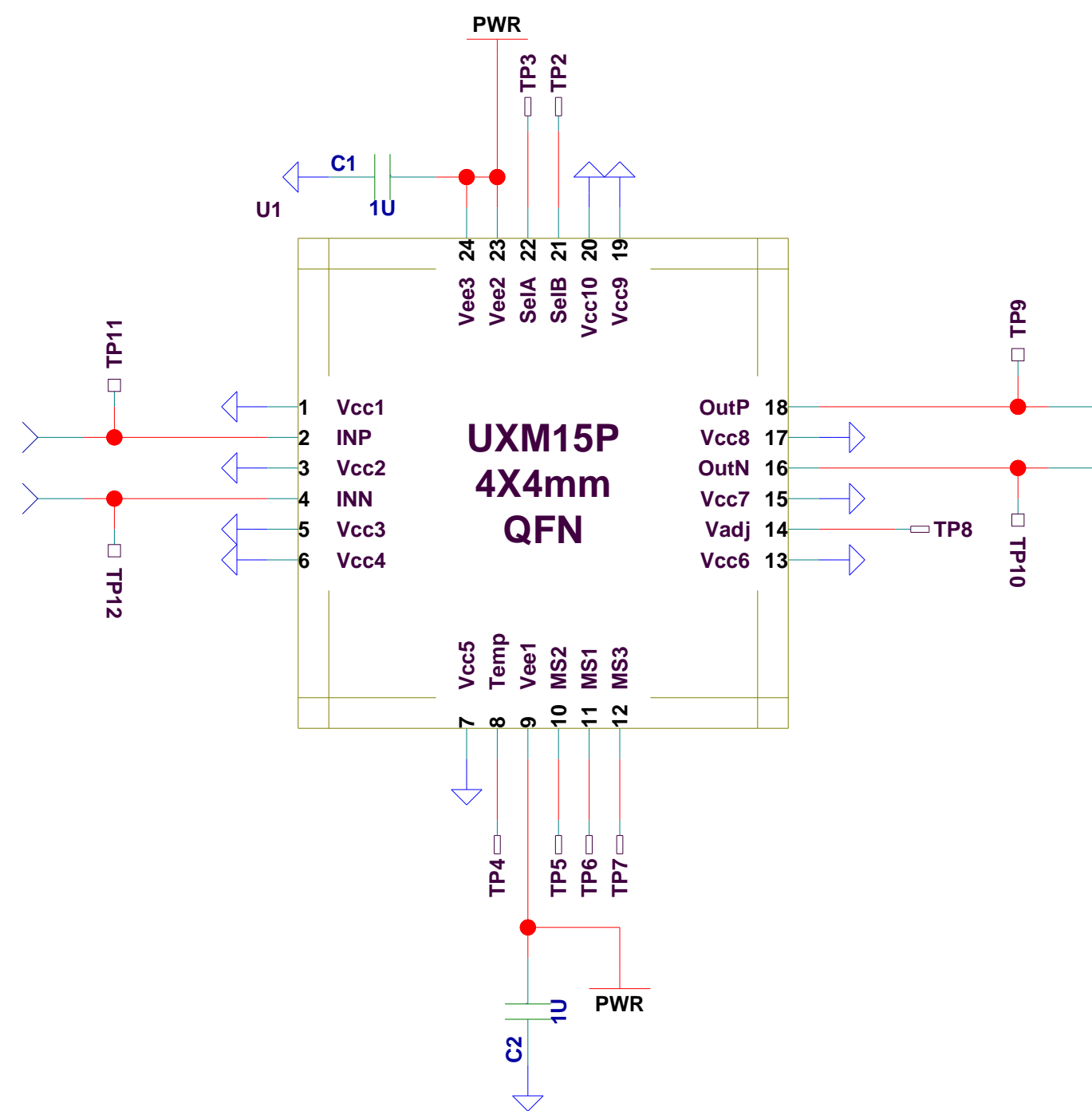


UXM15P Typical Gerber Files



Title: UXM15P TYPICAL GERBER FILES	
File: UXM15P	
Created by: CB	Date: 11-20-2008_10:33
Modified by:	Date:
PCB NO: 000	Size: C Sheet 1 of 1 REV: 0