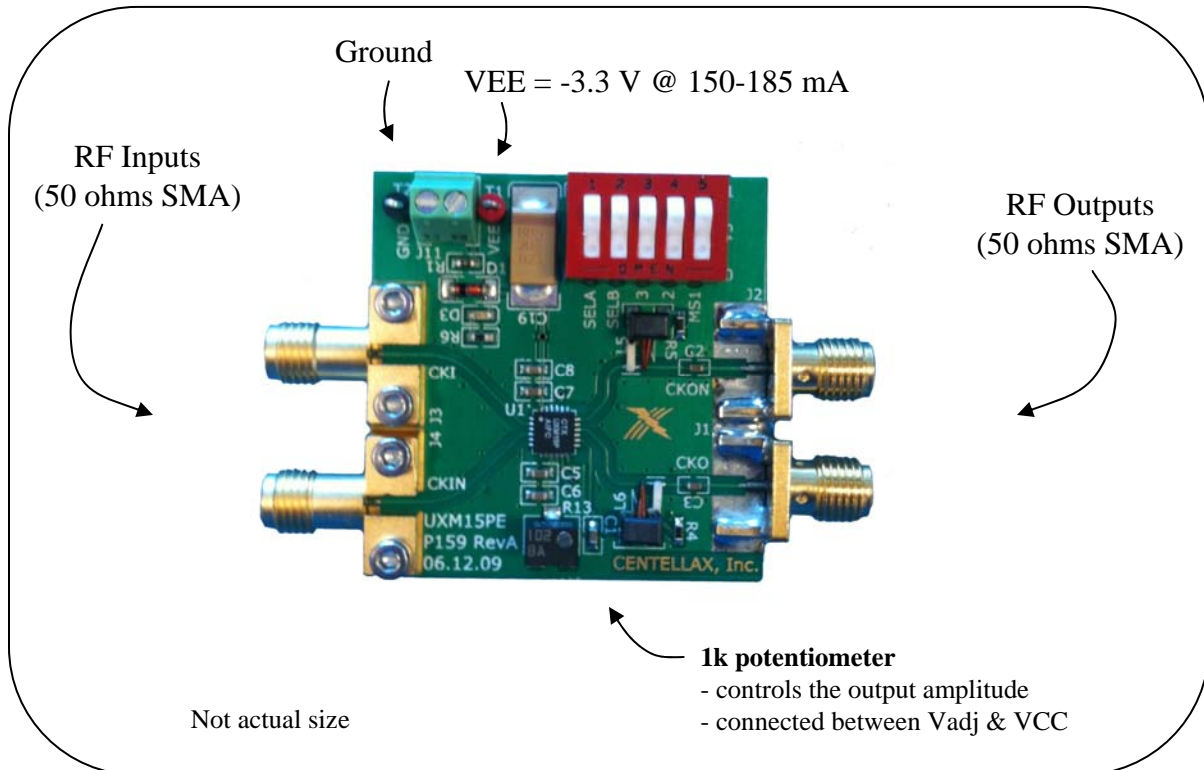


UXM15PE Eval Board

UXM15PE is an evaluation board for the UXM15P DC-15 GHz Programmable Integer-N Prescaler.

Note: Supply voltage must be negative.



Application Notes

1. If RF inputs/outputs are used in single-ended configuration, terminate unused inputs/outputs with 50 ohm loads.
2. Use on-board switches to control the divide ratios

Divider Mode Select Logic			Multi-Modulus Control Logic			
SelA	SelB	Mode	MS1	MS2	MS3	Modulus
0	0	Multi-Modulus	0	1	1	1/4
1	0	1/8	1	1	1	1/5
0	1	1/4	0	0	1	1/6
1	1	1/2	1	0	1	1/7
			0	0	0	1/8
			1	0	0	1/9
			X	1	0	Invalid

3. Refer to UXM15P datasheet for performance specifications.
4. Email support@centellax.com for assistance.