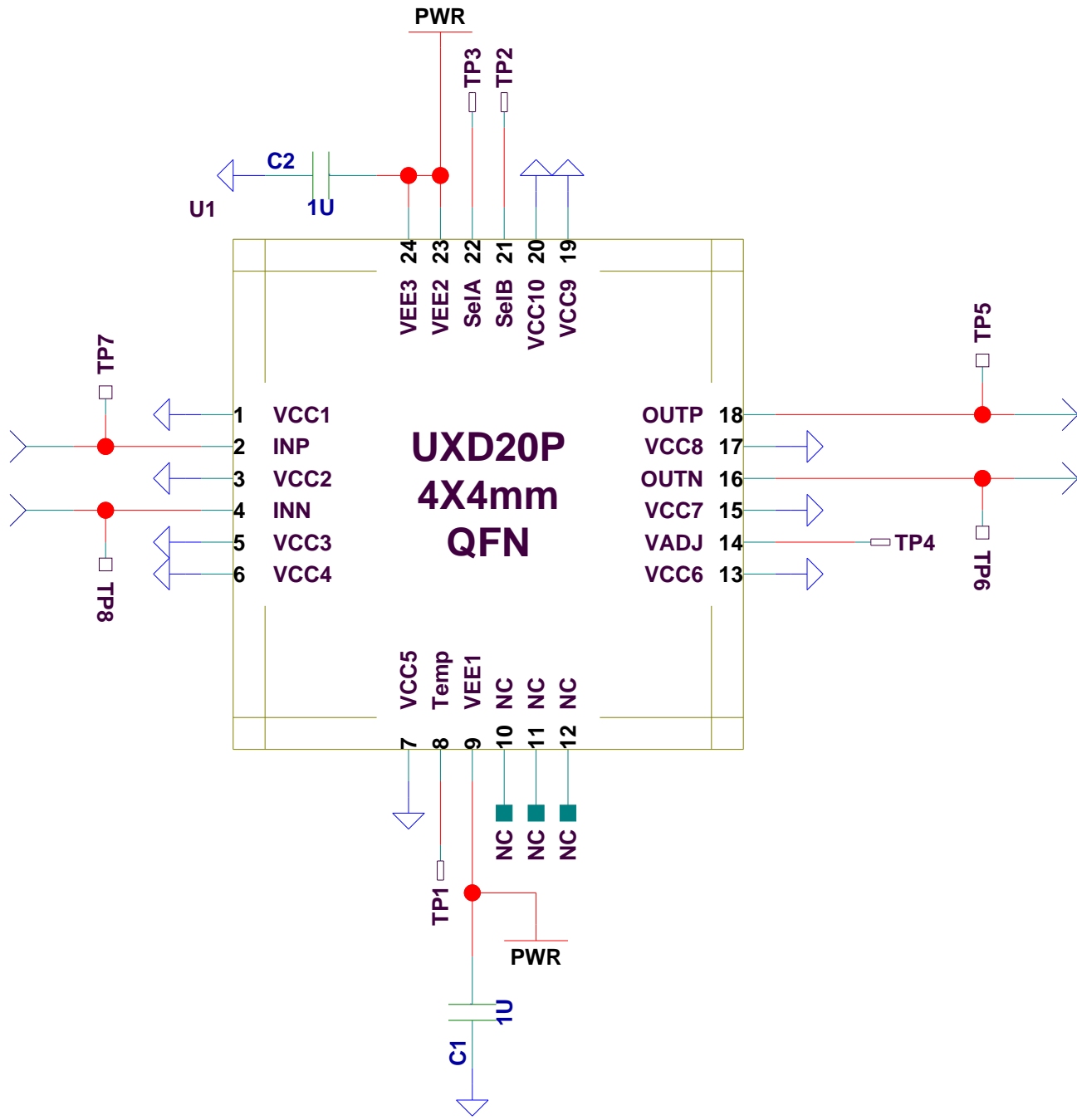


UXD20P Typical Gerber Files



Title: UXD20P TYPICAL GERBER FILES	
File: UXD20P	
Created by: CB	Date: 11-18-2008_13:23
Modified by:	Date:
PCB NO: 000	Size: C Sheet 1 of 1 REV: 0