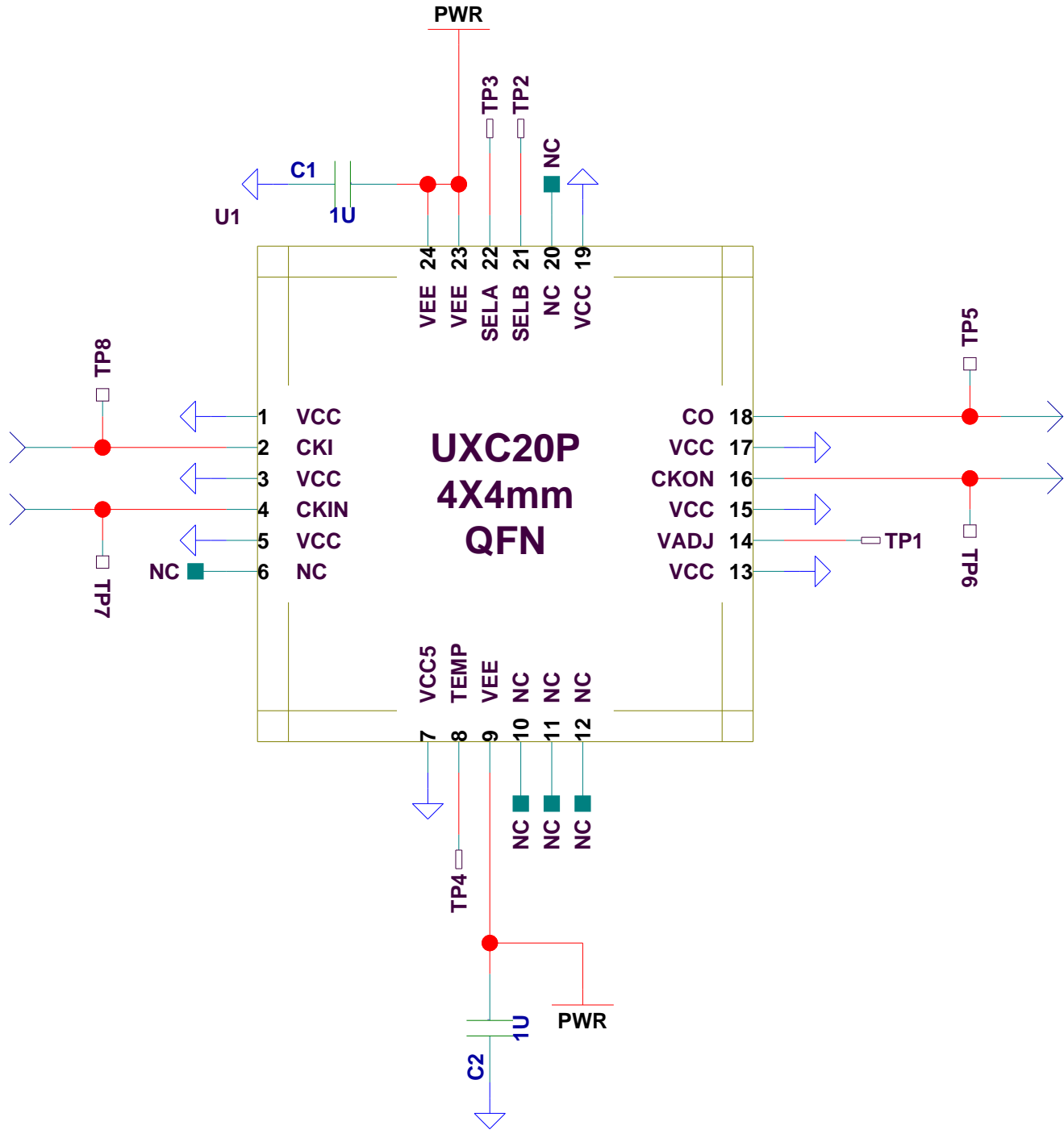


UXC20P Typical Gerber Files



451 Aviation Blvd., Suite 101
 Santa Rosa, CA 95403-1069
 tel: +1.966.522.6888

Title: UXC20P TYPICAL GERBER FILES	
File: UXC20P	
Created by: CB	Date: 11-20-2008_13:10
Modified by:	Date:
PCB NO: 000	Size: C Sheet 1 of 1 REV: 0