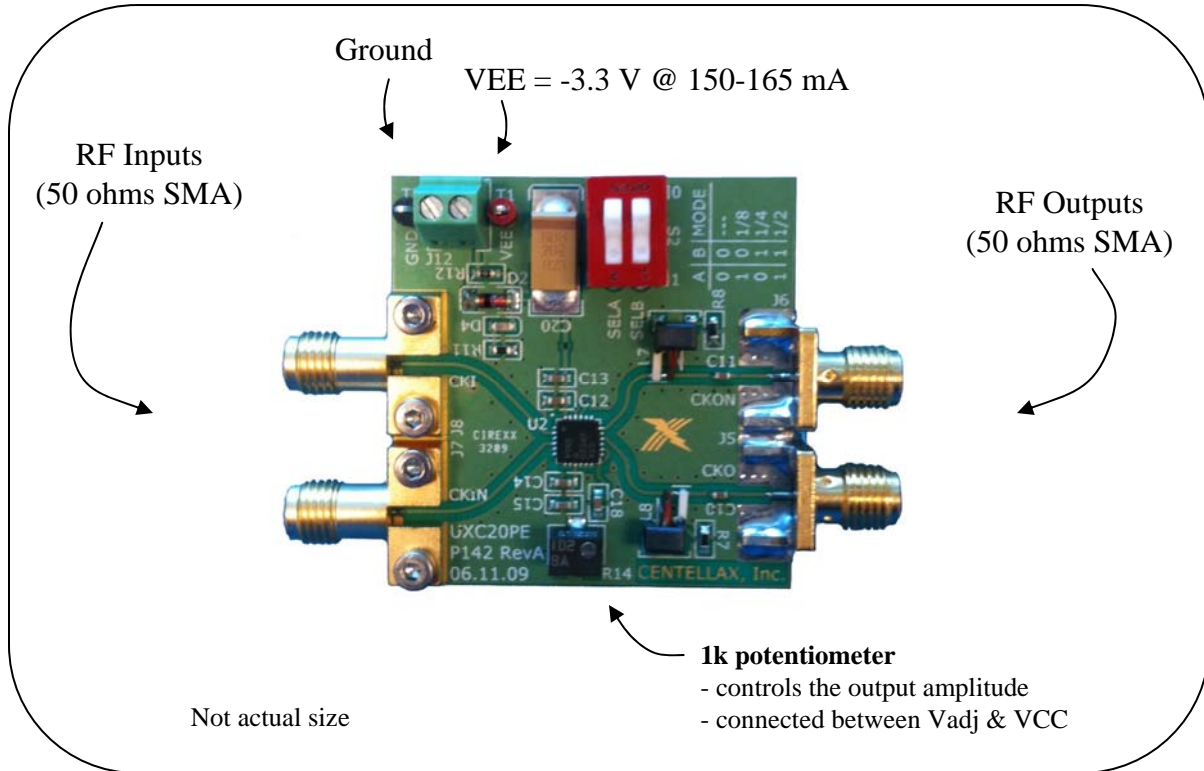


UXC20PE Eval Board

UXC20PE is an evaluation board for the UXC20P DC-20 GHz Programmable Binary Prescaler.

Note: Supply voltage must be negative.



Application Notes

1. If RF inputs/outputs are used in single-ended configuration, terminate unused inputs/outputs with 50 ohm loads.
2. Use on-board switches to control the divide ratios

Switch Settings		Division Ratio Output
A	B	
0	0	Invalid
1	0	1/8
0	1	1/4
1	1	1/2

3. Refer to UXC20P datasheet for performance specifications.
4. Email support@centellax.com for assistance.