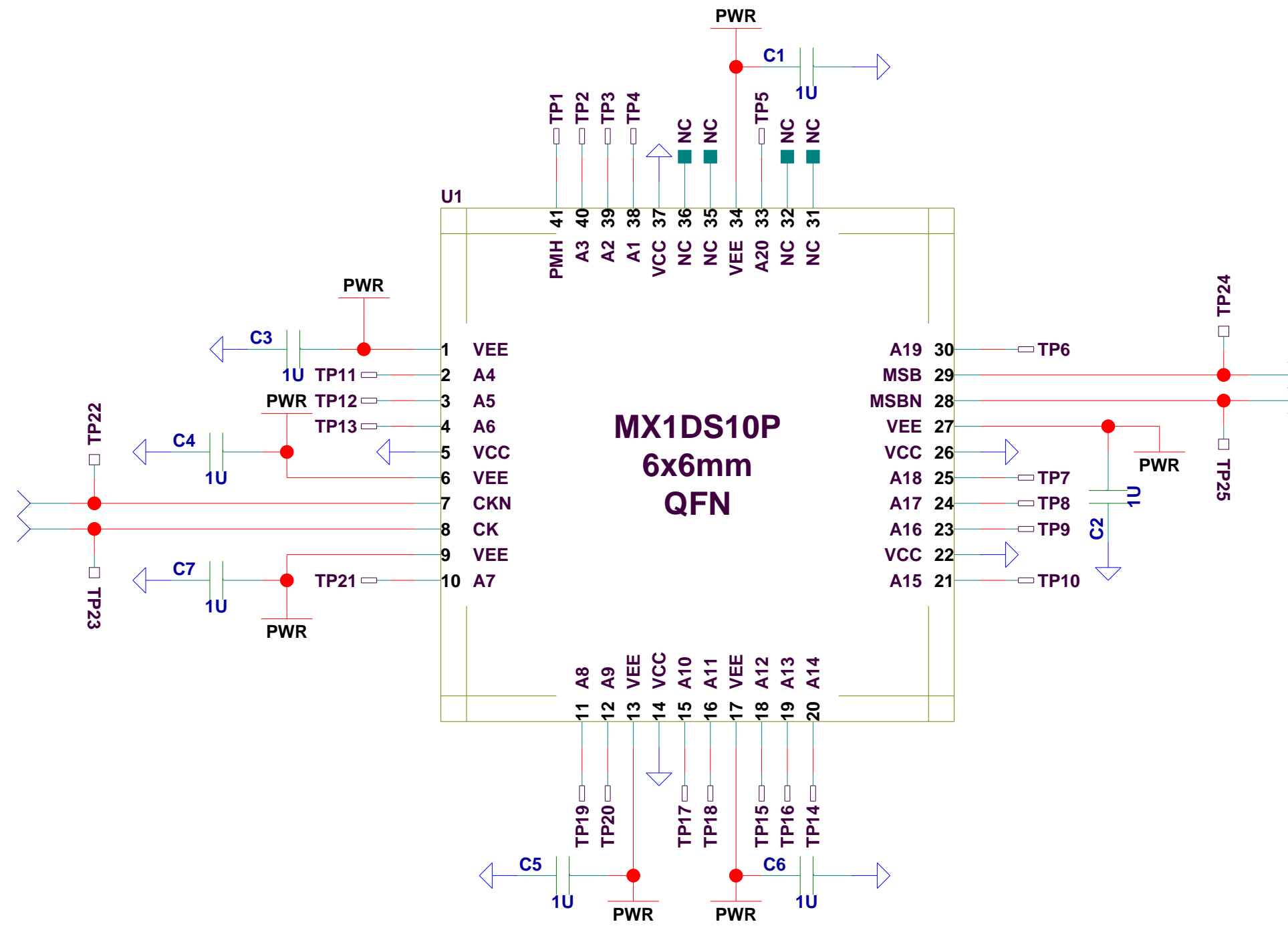


MX1DS10P Typical Gerber Files



Title: MX1DS10P TYPICAL GERBER FILES	
File: MX1DS10P	
Created by: CB	Date: 11-18-2008_12:22
Modified by:	Date:
PCB NO: 000	Size: C Sheet 1 of 1 REV: 0